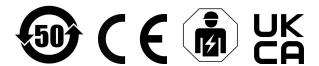
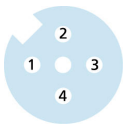
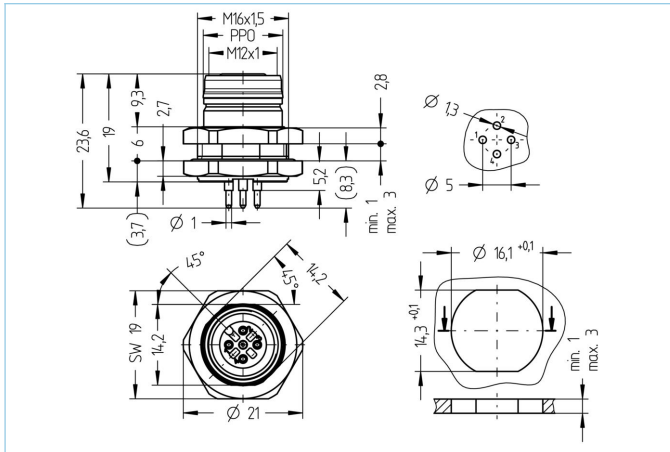


Receptacle, M12, Push-Pull outer locking, female, straight, 4 poles, back wall-mounting, print contact



Product data	
Item description	AL-PPOFHM12KUA4-P/M16
Item-No.	8120534
Customs tariff-No.	85366990
Packaging unit	10
Step-File	AL-PPOFHM12KUA4-P_M16.stp
EAN	4047106340827
Technical data	
Connector	female, straight, M12
Number of pins	4
Coding	A
Rated voltage	250V
Current load per pin (at 40°C)	4A
Insulation resistance	≥10 ⁹ Ω
Ambient temperature product	-30°C...+90°C
Reflow	2 min. 250 °C
Contact material	Metal, CuZn, gold-plated
Contact-carrier material	Plastic, PA GF, BK
Receptacle housing material	Metal, CuZn, nickel-plated
Sealing (female) material	FPM/FKM
Material of external sealing	NBR
Mounting direction	Back wall-mounting (incl. Fixing screw)
Wrench size of fastening nut	A/F19
Fastening thread	M16x1.5
Wall thickness area fixing nut	1,0...3,0 mm

Connecting type	Print contact
Standards	IEC 61076-2-010
Degree of protection (mounted)	IP65, IP67, IP68
Mechanical life-cycle	>100 mating cycles
Degree of pollution	3
Style	straight
Tightening torque housing/flange	2,0 Nm

Classification

eCl@ss 6.0	27279220
eCl@ss 7.0	27440103
eCl@ss 8.0	27440103
eCl@ss 9.0	27440103
ETIM 5.0	EC002061
ETIM 6.0	EC002061

Link to product

<https://www.escha.net/en/8120534>