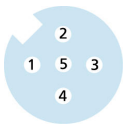
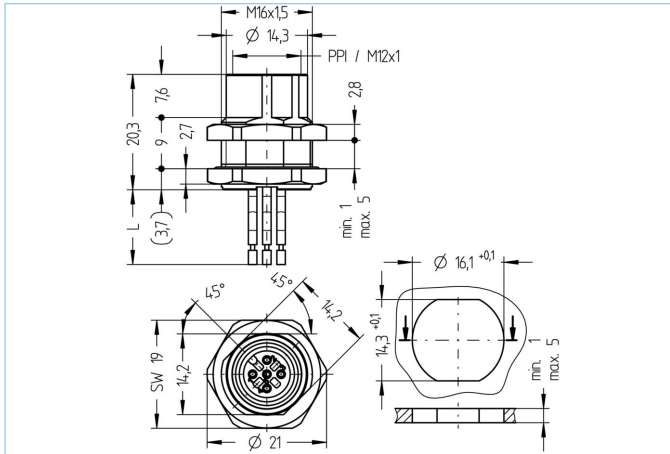


Receptacle, M12, Push-Pull inner locking, female, straight, 5 poles, back wall-mounting, wire contact



Product data

Item description	AL-PPIFHM12KUA4.5-0,5/M16
Item-No.	8120416
Customs tariff-No.	85444290
Packaging unit	5
Step-File	AL-PPIFHM12KUA4_5-m_M16.stp
EAN	4047106340773

Technical data

Connector	female, straight, M12
Number of pins	5
Pin assignment	1 BN, 2 WH, 3 BU, 4 BK, 5 GY
Coding	A
Rated voltage	50V _{AC} 63V _{DC}
Current load per pin (at 40°C)	4A
Insulation resistance	≥10 ⁹ Ω
Ambient temperature product	-30°C...+90°C
Contact material	Metal, CuSn, gold-plated
Contact-carrier material	Plastic, TPU, BK
Receptacle housing material	Metal, CuZn, nickel-plated
Sealing (female) material	FPM/FKM
Material of external sealing	NBR
Mounting direction	Back wall-mounting (incl. Fixing screw)
Wrench size of fastening nut	A/F19
Wire length	0.50m
Wire colors	BN, WH, BU, BK, GY
Wire cross-section	5 x 0.34 mm ²
Wire insulation material	PVC
Fastening thread	M16x1.5
Wall thickness area fixing nut	1,0...5,0 mm

Connecting type	Wire contact
Standards	IEC 61076-2-010
Degree of protection (mounted)	IP65, IP67, IP68
Mechanical life-cycle	>100 mating cycles
Degree of pollution	3
Style	straight
Tightening torque housing/flange	2,0 Nm

Classification

eCl@ss 6.0	27279220
eCl@ss 7.0	27440103
eCl@ss 8.0	27440103
eCl@ss 9.0	27440103
ETIM 5.0	EC002061
ETIM 6.0	EC002061

Link to product

<https://www.escha.net/en/8120416>