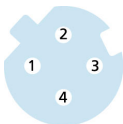
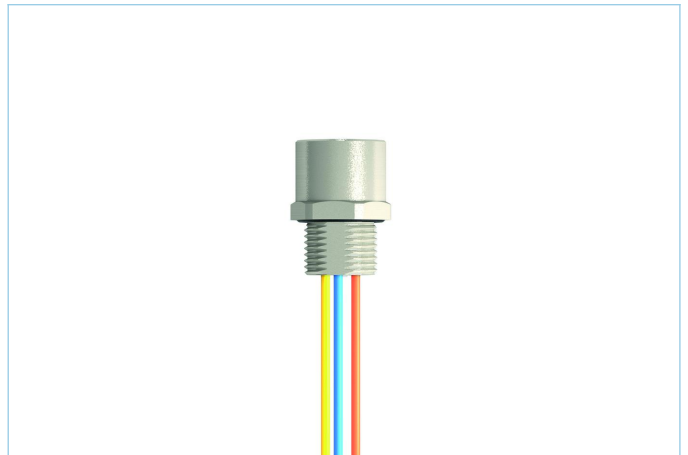
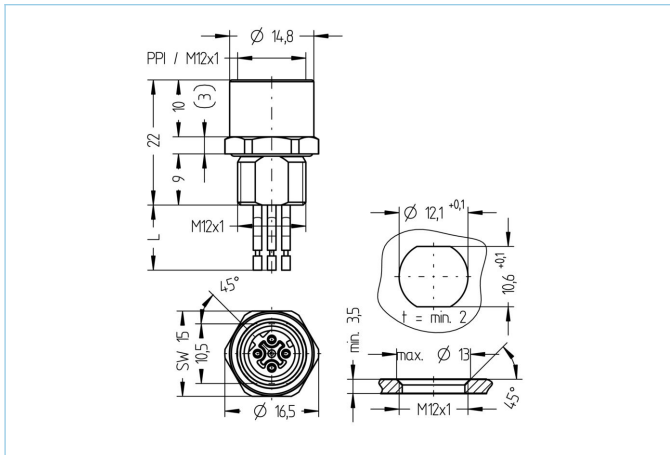


Receptacle, M12, Push-Pull inner locking, female, straight, 4 poles, D-coded, front wall-mounting, wire contact, Industrial Ethernet



Product data

Item description	IE-PPIFVM12KUD4.029-0,5/M12
Item-No.	8120405
Customs tariff-No.	85444290
Packaging unit	5
Step-File	IE-PPIFVM12KUD4-m_M12.stp
EAN	4047106340742

Technical data

Connector	female, straight, M12
Number of pins	4
Pin assignment	1 YE, 2 WH, 3 OG, 4 BU
Coding	D
Rated voltage	60V DC
Current load per pin (at 40°C)	4A
Insulation resistance	$\geq 10^9 \Omega$
Ambient temperature product	-30°C...+90°C
Contact material	Metal, CuSn, gold-plated
Contact-carrier material	Plastic, TPU, GN
Receptacle housing material	Metal, CuZn, nickel-plated
Sealing (female) material	FPM/FKM
Material of external sealing	NBR
Mounting direction	Front wall-mounting (without fixing screw)
Wire length	0.50m
Wire colors	YE/OG ; WH/BU
Wire cross-section	4 x 0.34 mm ²
Wire insulation material	PVC
Fastening thread	M12x1
Wall thickness area fixing nut	2,0...4,5 mm
Wall thickness area mounting thread	min. 3,5 mm

Connecting type	Wire contact
Standards	IEC 61076-2-010
Degree of protection (mounted)	IP65, IP67, IP68
Mechanical life-cycle	>100 mating cycles
Degree of pollution	3
Style	straight
Tightening torque housing/flange	1,5 Nm

Classification

eCl@ss 6.0	27279220
eCl@ss 7.0	27440103
eCl@ss 8.0	27440103
eCl@ss 9.0	27440103
ETIM 5.0	EC002061
ETIM 6.0	EC002061

Link to product

<https://www.escha.net/en/8120405>