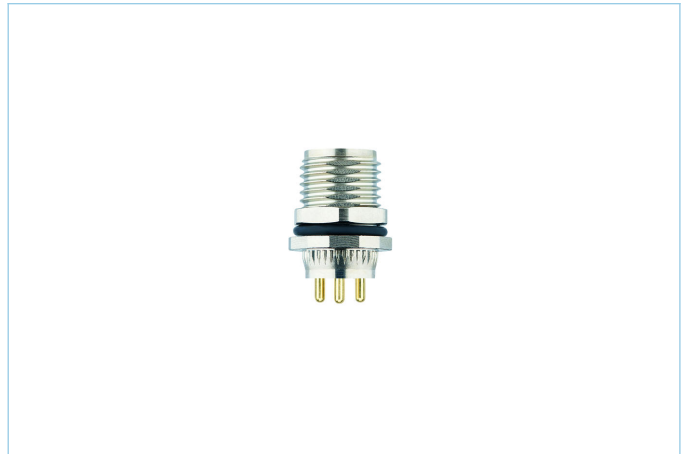
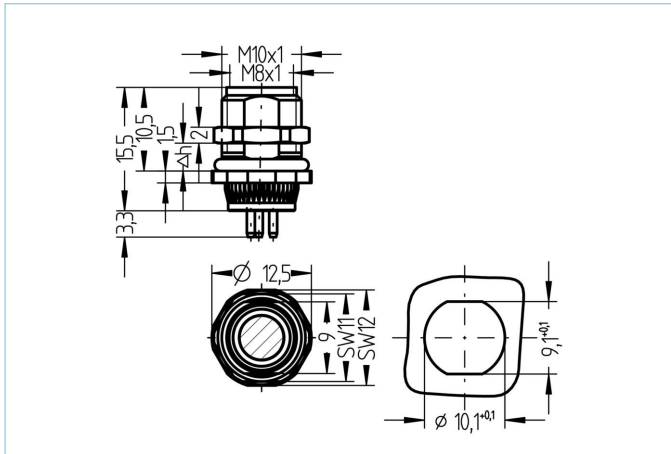


Receptacle, M8, female, straight, 8 poles, back wall-mounting, print contact



Product data

Item description	AL-FHM8KUA8-P/M10/S700
Item-No.	8115432
Customs tariff-No.	85366990
Packaging unit	10
Step-File	AL-FHM8KUA8P_M10.stp
EAN	4047106318727

Technical data

Connector	female, straight, M8
Number of pins	8
Coding	A
Rated voltage	30V
Current load per pin (at 40°C)	1.5A
Ambient temperature product	-30°C...+90°C
Reflow	2 min. 250 °C
Contact material	Metal, CuZn, gold-plated
Contact-carrier material	Plastic, PA, BK
Receptacle housing material	Metal, CuZn, nickel-plated
Sealing (female) material	Plastic, NBR
Mounting direction	Back wall-mounting (incl. Fixing screw)
Wall thickness area (Δh)	3,0...6,0 mm
Fastening thread	M10x1
Connecting type	Print contact
Standards	IEC 61076-2-104
Degree of protection (mounted)	IP65, IP67, IP68
Mechanical life-cycle	>100 mating cycles
Degree of pollution	3
Style	straight

Classification

eCl@ss 6.0	27279220
eCl@ss 7.0	27440103
eCl@ss 8.0	27440103
eCl@ss 9.0	27440103
ETIM 5.0	EC002061
ETIM 6.0	EC002061