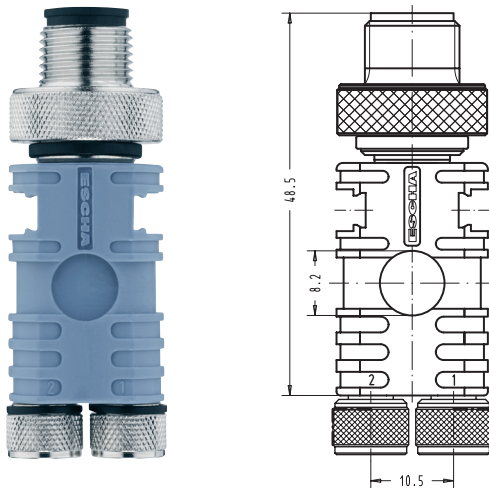


SCOPE OF APPLICATION | APPLICATION

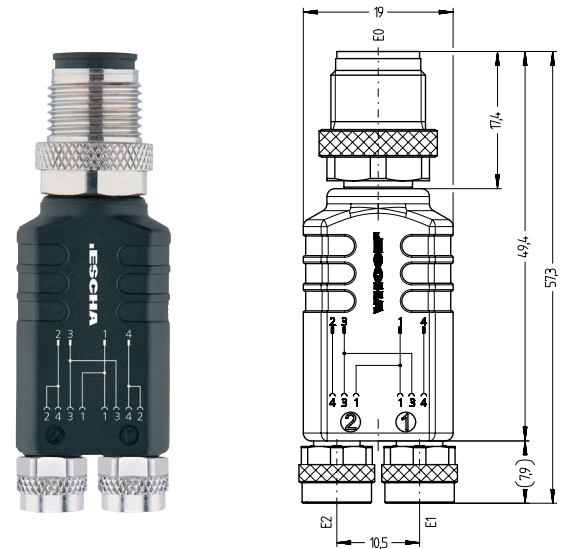
Design change Y-Splitter, M12 male, 2x M8 female

PCN23_002

CURRENT DESIGN



NEW DESIGN



MODIFICATION

In order to ensure long-term and secure delivery capability, ESCHA has decided to adapt this product to standard components. External dimensions are only slightly affected.

- Hexagon coupling nut with knurl
- Black overmolding
- White marking (e.g. logo, item-description)

CONFIRMATION OF WARRANTED CHARACTERISTICS

All guaranteed electrical- and mechanical characteristics are not affected by these modifications.

DATE OF MODIFICATION

- The changes will be implemented on 31 March 2023
- Mixed deliveries may occur as the item numbers remain the same so stock and changed products may be included in the same shipment

AFFECTED ITEMS

Item-No.	Former item description	New item description
8008081	FSM4-2SKP3	Y-FS4M12-2AL-SKP3

Director Product Management

Marc Braun

Compliance Officer

Quality Management Representative

Achim Rudack