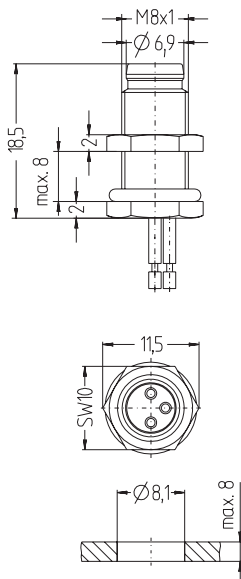


SCOPE OF APPLICATION | APPLICATION

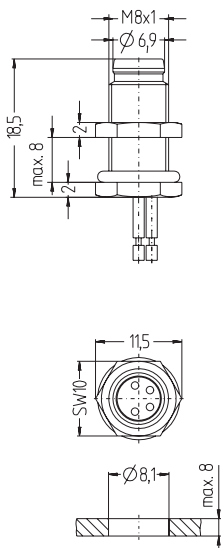
Design changes of M8 receptacles with 3- or 4-poles and wire contact

CURRENT DESIGN

3-poles

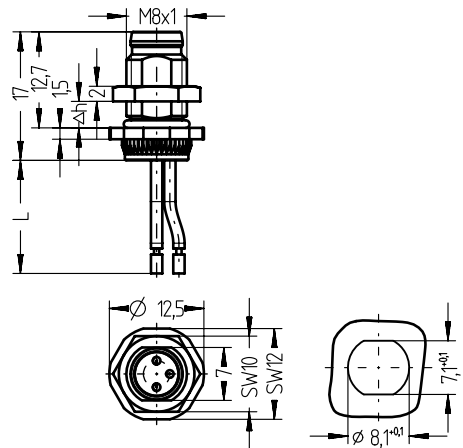


4-poles

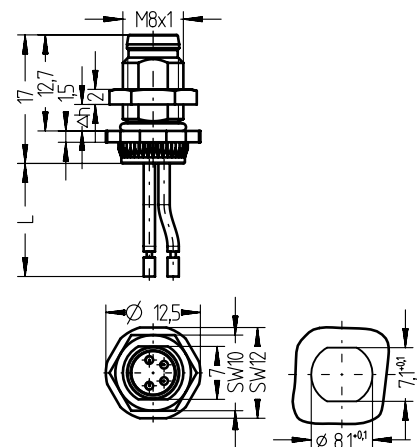


NEW DESIGN

3-poles



4-poles



## MODIFICATION

Due to the need to set-up a new tool, the articles' design has been adapted to current product ranges. There are marginal changes at the exterior dimensions. These changes affect ESCHA standard-items and customer-specific variants as well.

## CONFIRMATION OF WARRANTED CHARACTERISTICS

- All major characteristics are not affected

## DATE OF MODIFICATION

- 01.July 2022
- Mixed deliveries are possible

## AFFECTED ITEMS

- See detached Excel file

Director Product Management

Marc Braun

Compliance Officer

Quality Management Representative  
Achim Rudack