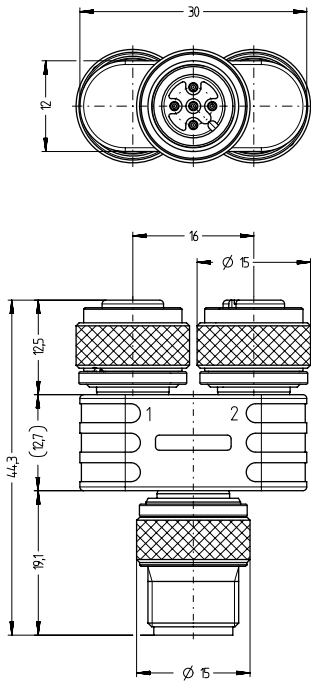


SCOPE OF APPLICATION

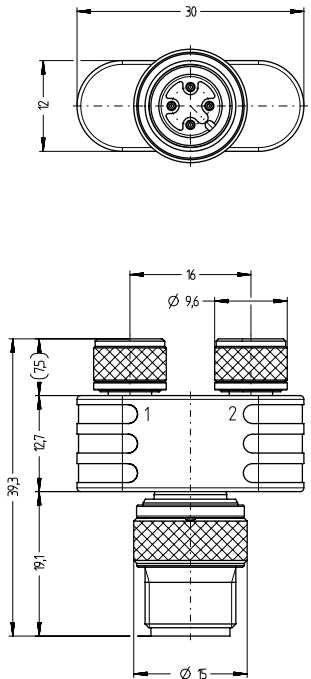
M12-Y-splitter | S55 product range

CURRENT DESIGN

M12 > 2x M12

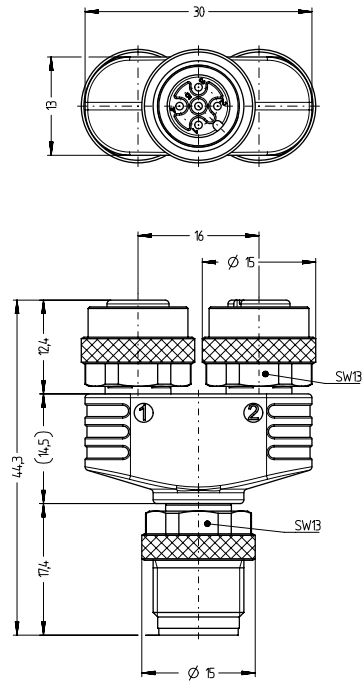


M12 > 2x M8

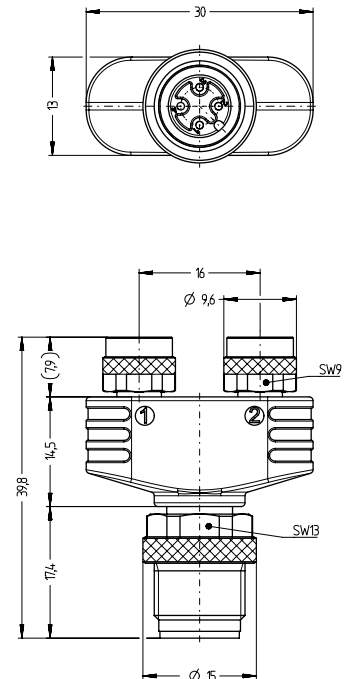


NEW DESIGN

M12 > 2x M12



M12 > 2x M8



## MODIFICATION

Due to the need to set-up a new tool, the articles' design has been adapted to current product ranges. There are marginal changes at the exterior dimensions.

- Hexagon locking-nut with knurl
- Black overmolding
- White marking (e.g. logo, item-description)

## CONFIRMATION OF WARRANTED CHARACTERISTICS

All guaranteed electrical- and mechanical characteristics are not affected by these modifications.

## DATE OF MODIFICATION

- 01 June 2022
- The item-numbers remain unchanged.
- Mixed deliveries are possible

## AFFECTED ITEMS

Item-no.	Item-description
8018720	Y-WAS5-2WAK5.4/S55
8052224	Y-WAS4-2SKP3/S55/S56
8041722	Y-WAS5-2WAK5/S55/S2921
8027000	Y-WAS4-2SKP3/S55

Director Product Management  
Marc Braun

Director Quality- | Environmental Management  
Achim Rudack