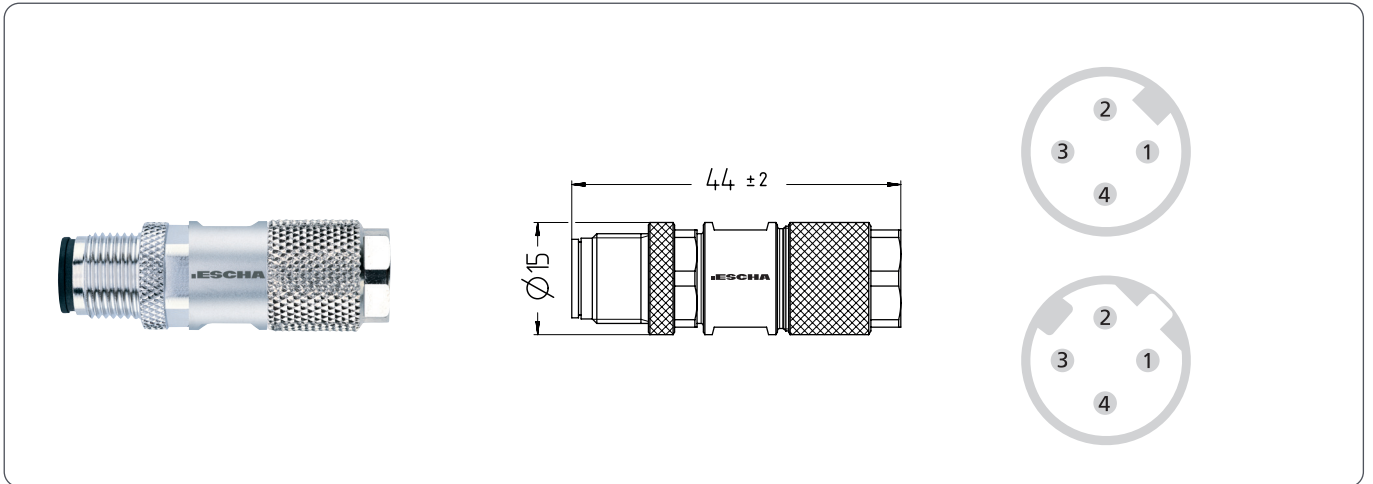


**PORTFOLIO EXTENSION**

M12 FIELD-WIREABLE, 4 POLES, A- OR D-CODED, RAIL APPROVED



**PORTFOLIO STRATEGY | APPLICATION**

- Industrial Ethernet applications as well as sensor/actuator applications in transportation and industry.
- For easy and flexible wiring in the field.
- For applications with minimum installation space.

**KEY FEATURES**

- Crimp contacts
- Diameter 0.25 – 1.0mm<sup>2</sup>
- Compact housing style
- Cable outlet 4.5 – 8.0mm
- Easy installation
- 360° shielding
- According to rail standards DIN EN 45545-2 (HL1-3) and DIN EN 50155

**DATE OF PRODUCT RELEASE**

- Available as of now
- Data sheets and prices available
- Samples upon request

**LIST OF ITEMS**

- See detached Excel list

Business Development Management  
 Marc Seeländer