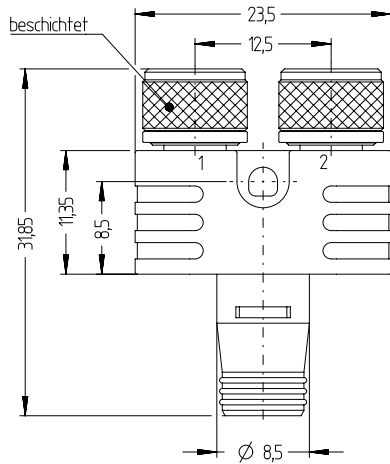
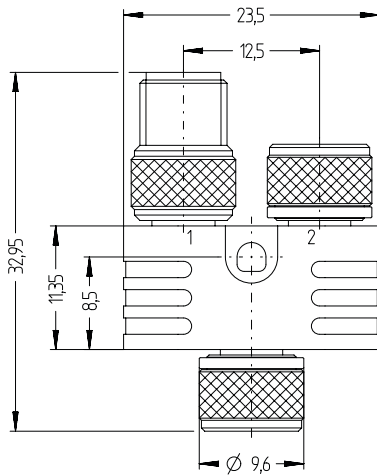
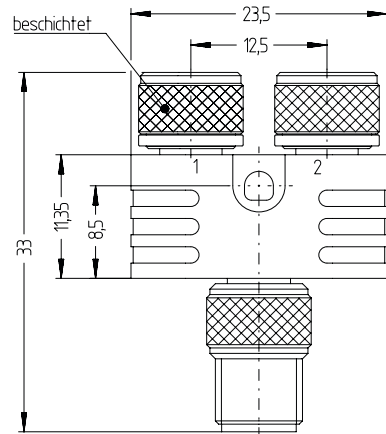


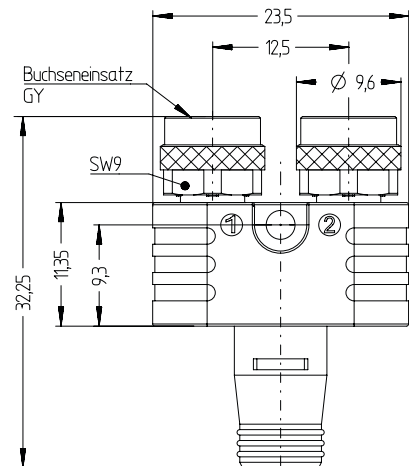
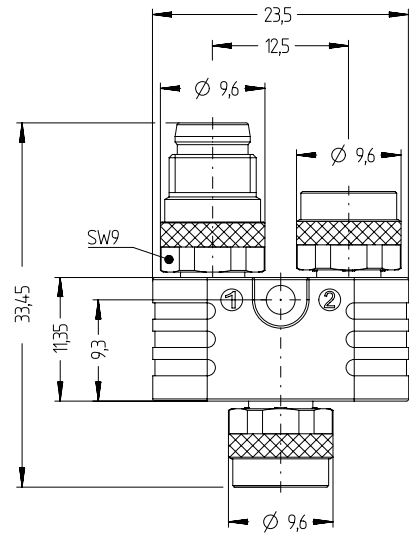
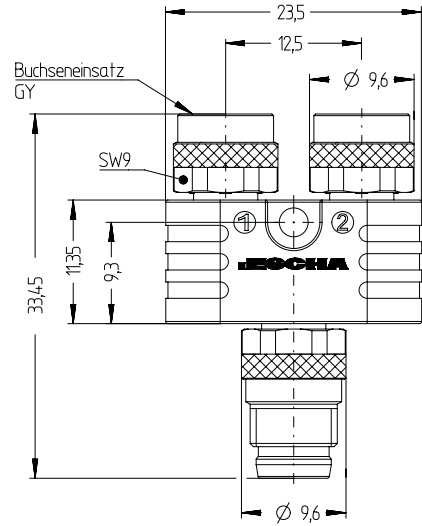
SCOPE OF APPLICATION

M8 Y-splitter | MB product range

CURRENT DESIGN



NEW DESIGN



## MODIFICATION

Due to the need to set-up a new tool, the articles' design has been adapted to current product ranges. These changes affect ESCHA standard-items and customer-specific variants as well.

- Hexagon locking-nut with knurl
- Black overmolding
- Exit 1 marked through grey contact-carrier
- Due to male snap-locking-nut the overall height changes slightly (see drawing)
- Printed label (white color)

## CONFIRMATION OF WARRANTED CHARACTERISTICS

All guaranteed electrical- and mechanical characteristics are not affected by these modifications.

## DATE OF MODIFICATION

- 30 June 2020 for ESCHA standard splitters
- Customer-specific splitters will be changed due to agreement, but 31 December 2020 at the latest
- Mixed deliveries are possible after modification

## AFFECTED ITEMS

- See corresponding Excel file

Director Product Management  
Thomas Korb

Director Quality Management  
Sascha Viezens