

## SCOPE OF APPLICATION

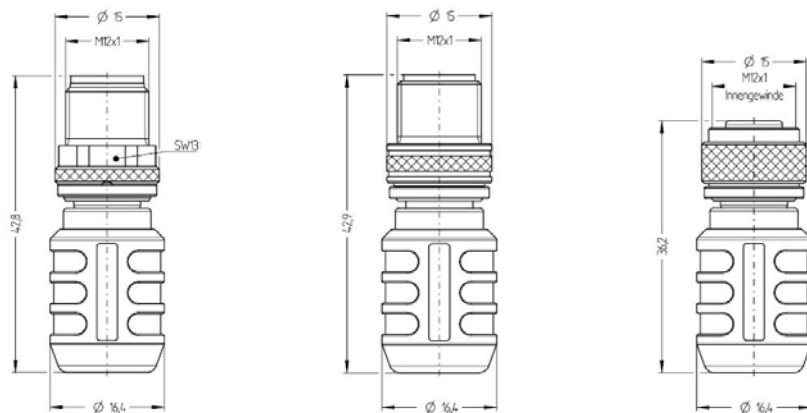
Termination Plugs

### CURRENT DESIGN

Example



Drawing

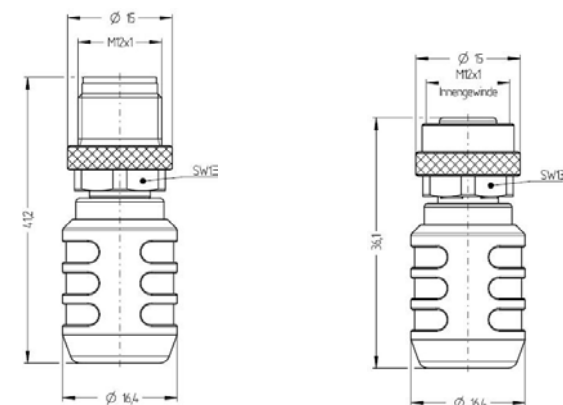


### NEW DESIGN

Example



Drawing



## SCOPE OF APPLICATION

Termination Plugs

## MODIFICATION

Due to the need to set-up a new tool, the articles' design has changed slightly. There are marginal changes at the exterior dimensions. These changes affect ESCHA standard-items and customer-specific variants as well.

Visible modifications

- Black overmolding
- Hexagon locking-nut with rougher knurl
- Violet contact-carriers for PROFIBUS items
- White marking (e.g. logo, item-description)

## CONFIRMATION OF WARRANTED CHARACTERISTICS

All guaranteed electrical- and mechanical characteristics are not affected by these modifications.

## DATE OF MODIFICATION

- 31 March 2020
- Mixed deliveries are possible

## AFFECTED ITEMS

See corresponding Excel file for changes and detailed information.

Director Product Management

Thomas Korb

Director Quality- | Environmental Management

Achim Rudack