

SCOPE OF APPLICATION

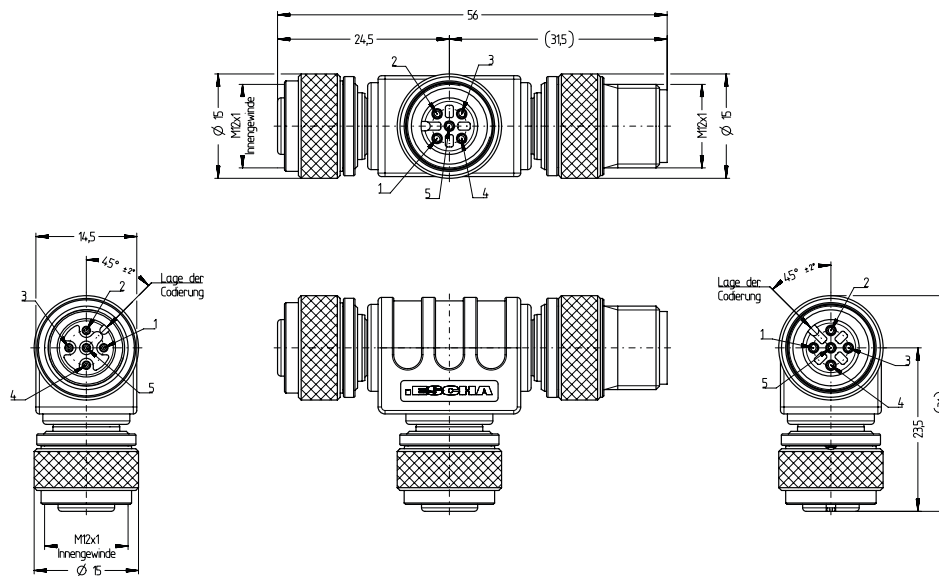
M12x1 T-junctions, unshielded

PREVIOUS DESIGN



Example

Drawing

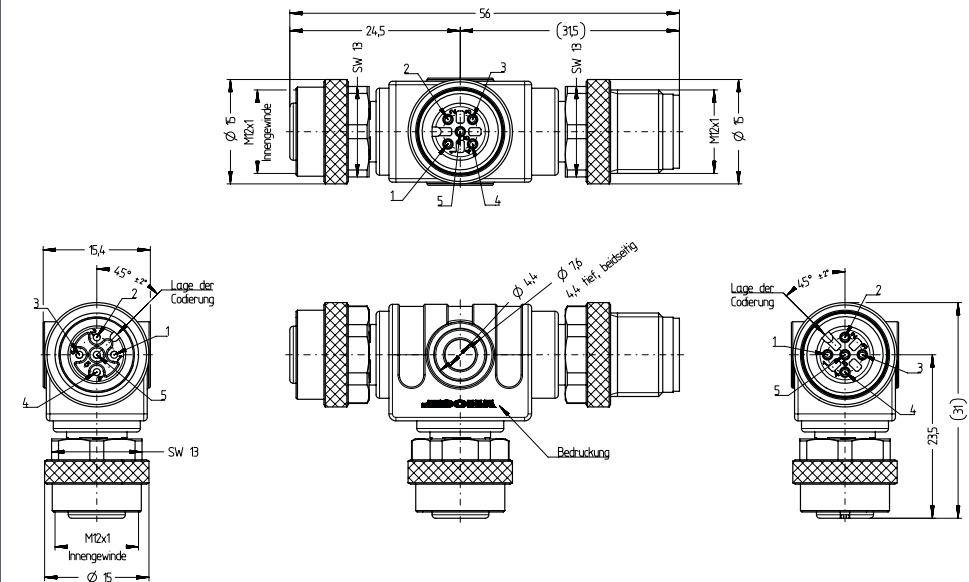


NEW DESIGN



Example

Drawing



SCOPE OF APPLICATION

M12x1 T-junctions, unshielded

MODIFICATION

As it was necessary to build a follow-up tool for these T-junctions and in the course of the ESCHA platform-strategy, we improved this product range to offer advantages and to simplify its handling.

Visible modifications

- Mounting hole for M4 screws
- Hexagon locking-nut with rougher knurl
- Black overmolding
- Elimination of snap-ring, vibration-protection in locking-nut

CONFIRMATION OF WARRANTED CHARACTERISTICS

Height and width remain unchanged. Swapping between previous and new design is easily possible.

In addition, we confirm that the warranted technical characteristics are not affected by these modifications.

DATE OF MODIFICATION

ESCHA is going to implement the new design into its standard product-portfolio in Q1/2019. The current item-numbers remain unchanged, as the modifications are not critical and the warranted characteristics are not affected.

AFFECTED ITEMS

See annex

Director Product Management

Thomas Korb

Director Quality- | Environmental Management

Achim Rudack